



WATER AUTHORITY OF GREAT NECK NORTH

50 WATERMILL LANE • GREAT NECK, NEW YORK 11021-4235
OFFICE Tel: (516) 487-7973 • Fax: (516) 487-5048
24 HOUR EMERGENCY Tel: (516) 482-0210
www.waterauthorityofgreatnecknorth.com

WATER APPLICATION and INSTALLATION CHECKLIST

Location: _____ Date: _____

The following revisions to your application/plans must be completed with three (3) copies resubmitted for review.

- I. Minimum Notes Required on Plans:
 - A. DCV/RPZ installation to meet all NCHD and NYSHD requirements;
 - B. Devices must not be subject to flooding or freezing;
 - C. Piping to be unbranched and unrestricted from main to device except for meter;
 - D. Devices must be tested at least annually by NYSHD certified tester;
 - E. Drainage to be positive with effluent visible (RPZ only).
 - F. Pressure vacuum breakers are not permitted in lieu of backflow devices.
 - G. Existing curb box cannot be removed or location disturbed before new service is installed.

- II. Dimensions Required (provide Actual Dimensions on Plan):
 - A. 30" minimum from centerline of device to floor (all);
 - B. 30" minimum from device to any obstruction (all);
 - C. 8" minimum from edge of device to wall (all);
 - D. 18" minimum from relief spout to floor (RPZ only);
 - E. Building dimensions (all); (RPZ only)
 - F. Room or pit dimensions – as applicable (all).

- III. Comments:
 - A. Device must be immediately after water meter;
 - B. P.E. or R.A. seal on plans;
 - C. P.E. or R.A. seal on NYS Backflow form (DOH Form 347);
 - D. DOH Form 347 must be completely filled out and signed;
 - E. State make, model number, and size of device on plans;
 - F. Identify premises on plans;
 - G. Show two views of device – plan and section;
 - H. Show accurate test cock location;

- I. Show grade on all plans;
- J. Drainage details for RPZ must be shown;
- K. Provide site plan- (street, water main, service line, location of meter and device). All service lines must be shown with sizes.
- L. Ten feet of separation between any waste water system and the water line as per NYS Sanitary Code;
- M. Gas and/or electric service must be a minimum of five (5) feet horizontally from water service;
- N. Existing curb box must be shown on site plan;
- O. New water line must be brought out to existing curb box area. If this cannot be accomplished, a letter from P.E. or R.A. must accompany the application explaining why.

IV. Additional Comments:



WATER AUTHORITY OF GREAT NECK NORTH

50 WATERMILL LANE • GREAT NECK, NEW YORK 11021-4235
OFFICE Tel: (516) 487-7973 • Fax: (516) 487-5048
24 HOUR EMERGENCY Tel: (516) 482-0210
www.waterauthorityofgreatnecknorth.com

APPLICATION FOR INSTALLATION OF SERVICE PIPE AND CONTRACT FOR NEW DOMESTIC SYSTEM SERVICE LINE

(NOT FOR IRRIGATION, SWIMMING POOL OR FIRE SUPPRESSION SYSTEMS)

Date: _____

The undersigned (hereinafter referred to as the “Customer”) hereby requests the Water Authority of Great Neck North (hereinafter referred to as the Authority) to install a separate service pipe in a public way to supply water to the property line of the Customer for a domestic water system. The Customer shall be responsible for installing the balance of the system within the premises owned by the Customer, which are known as: _____ Great Neck, New York.

A resident requesting a new Domestic Water Service must submit the following:

1. Three copies of the site plan submitted by an engineer or architect indicating exact location you plan to install the water service detailing location of septic system, sewer lines, cesspools, dry wells and all underground utilities. The site plan must also include:
 - A. Two views of a Nassau County Department of Health approved double check valve. For reference only, enclosed find generic sketch of an inside meter installation/or pit meter installation for your use.
 - B. Indicating water service from the property line, continuing into the building. Please note, all three of the above-mentioned drawings are to be submitted, together with GEN FORM 347 (enclosed).
 - C. A signed Contract and Water Availability Letter.
2. Enclosed please find a copy of our curb stop location drawing. This drawing must be given to your architect or engineer. This is the only location that the new service will be connected to our system. If this location cannot be met due to property constraints, a letter from your engineer or architect must accompany this application, explaining why it is not acceptable.
3. Please note:
 - A. The New York State Sanitary Code requires a minimum of ten feet between any waste water system and the water line.
 - B. Gas service or main must be a minimum of five feet horizontally from a water service. The Water Authority will not install a water service or provide a hook up to a water service within five feet of a gas service or main.

C. When a meter pit is required, a meter pit cover with the proper size hole to accept a touch read meter reading device must be used.

4. Upon submission of this application, the applicant must submit a check payable to the Water Authority, to reimburse all costs, as estimated by the Authority, for installing the service pipe from the water main to the property line of the Applicant's premises, plus the requisite tapping fee, meter fee, necessary review and inspection fees.

Upon the determination of the actual cost, the deposit will be adjusted and any excess of the actual cost over the estimated cost will be deposited by the applicant with the Authority, and any excess of the estimated cost over the actual cost shall be refunded to the applicant.

All cost associated with the installation of this service is the responsibility of the applicant.

5. The payment of said fees shall not in any way vest in the Customer any title, right, or interest in or to said service pipe or any part thereof. The service pipe and all other facilities thereto, if any, within the public way shall be and remain the exclusive property of the Authority.
6. The furnishing of water service hereunder is and shall remain subject in all respects to the provisions of the Authority's Rate Schedule and Rules and Regulations, which may be amended at any time from time to time, and which are presently on file at the Authority's office and posted on the Authority's website: www.waterauthorityofgreatnecknorth.com.
7. The Customer agrees to pay the rates and charges set forth in the Rate Schedule and abide by the terms of this Contract and the Rules and Regulations of the Authority.
8. **Depending upon the work schedule of Authority employees, the work provided for you by Authority employees may be during overtime hours, at the Authority's discretion.**

Agreed:

Signature of Customer

Government Issued Identification

Name (typed): First, MI, Last

Corporation/Company/Title

Mailing Address: # and Street

Phone Number with Area Code

Mailing Address: City/State/Zip

Accepted: _____
Water Authority of Great Neck North

Revised: January 31, 2019



WATER AUTHORITY OF GREAT NECK NORTH

50 WATERMILL LANE • GREAT NECK, NEW YORK 11021-4235
OFFICE Tel: (516) 487-7973 • Fax: (516) 487-5048
24 HOUR EMERGENCY Tel: (516) 482-0210
www.waterauthorityofgreatnecknorth.com

APPLICATION FOR INSTALLATION OF SERVICE PIPE AND CONTRACT FOR A NEW IRRIGATION SYSTEM SERVICE LINE

Date: _____

1. The undersigned (hereinafter referred to as “Customer”) hereby requests the Authority of Great Neck North (hereinafter referred to as “Authority”) to install a separate service pipe in a public way to supply water to the property line of the Customer for a lawn sprinkler or other irrigation system. The Customer shall be responsible for installing the balance of the system within the premises owned by the Customer, which are known as _____, Great Neck, New York.

2. The Authority shall determine the service size (i.e., the diameter of the pipe).

3. The Authority hereby acknowledges receipt of the required fees for the installation, to wit:

Please see attached cost sheet for Domestic and Irrigation services.

4. Upon having your sprinkler system installed, along with the required meter pit, backflow pit, and associated plumbing as per the attached diagram please call the Authority’s office to arrange for the required inspection. Thirty (30) days will be required by the Authority to generate the necessary permits and installation of its portion of the service after the installation has passed inspection.
5. The payment of said fees shall not in any way vest in the Customer any title, right, or interest in or to said service pipe or any part thereof. The service pipe and all other facilities thereto, if any, within the public way shall be and remain the exclusive property of the Authority.

****This fee includes one application and inspection fee only.***

If re-submittals of the application/drawings or additional inspections are required, additional fees (currently \$100 per) will be charged.

6. The furnishing of water service hereunder is and shall remain subject in all respects to the provisions of the Authority’s Rate Schedule and Rules and Regulations, which may be amended at any time and from time to time, and which are presently on file at the Authority’s office and available on the Authority’s website. [It is acknowledged that such rules and regulations require, among other things, automatic rain or soil moisture sensors.]
7. The Customer agrees to pay the rates and charges set forth in the Rate Schedule and abide by the terms of this Contract, and the rules and regulations of the Authority.

8. **Depending upon the work schedule of Authority employees, the work provided for you by Authority employees may be performed during overtime hours, at the Authority's discretion.**

Agreed:

Signature of Customer

Government Issued Identification

Name (typed): First, MI, Last

Corporation/Company/Title

Mailing Address: # and Street

Phone Number with Area Code

Mailing Address: City/State/Zip

Accepted:

Water Authority of Great Neck North

Revised: 2020

WATER AUTHORITY OF GREAT NECK NORTH
50 WATERMILL LANE - GREAT NECK, NY 11021-4235
516-487-7973 x 18

WATER AVAILABILITY LETTER

ADDRESS: _____

This will acknowledge receipt of your request for the availability of water for the above captioned address filed on _____. Your application was brought to the attention of our Superintendent on _____.

The Water Authority of Great Neck North (hereinafter referred to as the "Authority") is operating under a New York State mandated restriction on groundwater pumpage. Our ability to service new customers and to continue serving present consumers will depend on the effectiveness of the Authority's Water Conservation Program and the cooperation of all Authority consumers.

The Authority has reviewed your request for water availability, as specified in your letter. This approval is given to the owners, for water use at the aforementioned premises and is not transferable. If the premises changes ownership now or in the future, the new owners must register with the Authority at 50 Watermill Lane, Great Neck. A new application will be required at that time. All plumbing water supply fixtures installed on the premises shall comply with or use less water than contained in the requirements of the New York State Plumbing Code, Building Construction, Article 9, Plumbing Requirements, part 900, Required Plumbing Facilities and New York State Environmental Conservation Law 15-0314 Powers and Responsibilities with respect to certain Plumbing Fixtures. Latest amendment thereto. The owner and contractor must utilize conservation fixtures wherever possible to help conserve water.

Per your request, the service described below is approved. An approved backflow prevention device must be installed in accordance with standard Authority requirements and drawings. Information, standard drawings and appropriate forms are available at our office.

- Irrigation Systems, Fire Suppression Systems, or Swimming Pool Approvals are subject to separate application and deposits.
- Water will not be used for air conditioning or for cooling purposes.
- A copy of the Authority's Water Conservation Plan is available at the Authority's offices.

SERVICE DESCRIPTION: (This area for company use)

Address: _____
Meter Size: _____ Account _____ #: _____
Residential: _____ Commercial _____ Apt _____ Municipal _____ Major Government _____

AGREED AND ACCEPTED:

Owner / Tenant Name: (Print) _____

Signature: _____ **Date:** _____

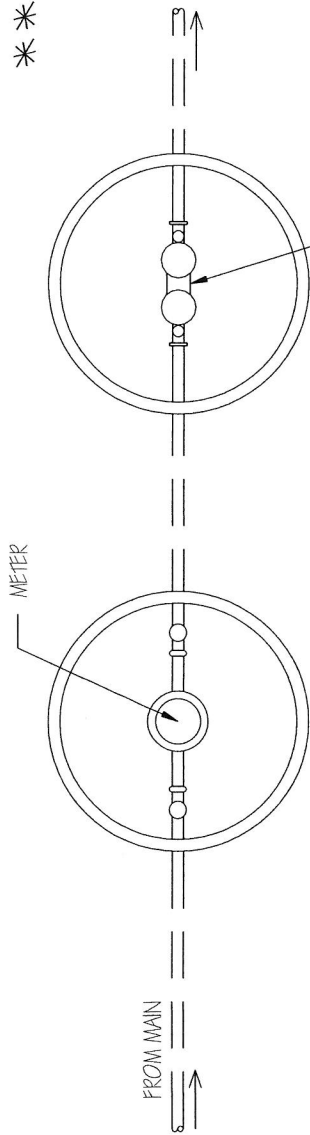
PLEASE RETURN ONE (1) SIGNED COPY VIA FAX, EMAIL, OR STANDARD MAIL. THANK YOU.

Application for Approval of Backflow Prevention Devices

PRINT OR TYPE ALL ENTRIES EXCEPT SIGNATURES Please completed items 1 through 12a + Block and Lot Numbers		Block #	Lot #	FOR DEPARTMENT USE ONLY Log No.
1. Name of Facility		2. City, Village, Town		3. County
4. Location of Facility <small>Street</small>		<small>City</small>	<small>state</small>	<small>zip</small>
4a. Phone Numbers		5. Contact Person		
5. Approx. Location of Device(s)		6. Mfg. Model #		Size of Device(s)
# of Fire Services		# of Domestic Services		# of Combined Services
# of Fire Services		Total # of Services		Total # of Buildings
7. Name of Owner		Title		Phone Number
Full Mailing Address <small>Address</small>		8. Nature of works <input type="checkbox"/> Initial Device Installation <input type="checkbox"/> Replace Existing Device		
<small>City</small>		8a. <input type="checkbox"/> New Service <input type="checkbox"/> Existing Service		
<small>state</small>		8b. <input type="checkbox"/> New Building <input type="checkbox"/> Existing Building <input type="checkbox"/> Major Renovations		
<small>zip</small>		Owner's Signature		
Date		<small>M / D / Y</small>		
9. Name of Design Engineer or Architect		10. NYS License #		
<small>Street</small>		<input type="checkbox"/> PE <input type="checkbox"/> RA <input type="checkbox"/> Other		
<small>Address</small>		10a. Telephone Number(s)		
<small>City</small>		Date		
<small>State</small>		<small>M / D / Y</small>		
<small>Zip</small>		Signature		
Original Ink signature and seal required on all copies		11. Water System Pressure (psi) at Point of Connection		
12. Estimate Installation Cost		12a. Estimate Design Cost		
Max Avg Min		13. Degree of Hazard		
<input type="checkbox"/> Hazardous		List of processes or reasons that lead to degree of hazard checked:		
<input type="checkbox"/> Aesthetically Objectionable		_____		
_____		_____		
14. Public water supply name		Name of supplier's designate representative		
Mailing Address		Title		
<small>street</small>		_____		
<small>City</small>		Signature		
<small>state</small>		<small>M / D / Y</small>		
<small>zip</small>		_____		
Telephone No. ()		_____		

Note: All applicants must be accompanied by plans, specifications and an engineer's report describing the project in detail. The project must first be submitted to the water supplier, who will forward it to the local public health engineer. This form must be prepared in quadruplicate with four copies of all plans, specifications and descriptive literature.

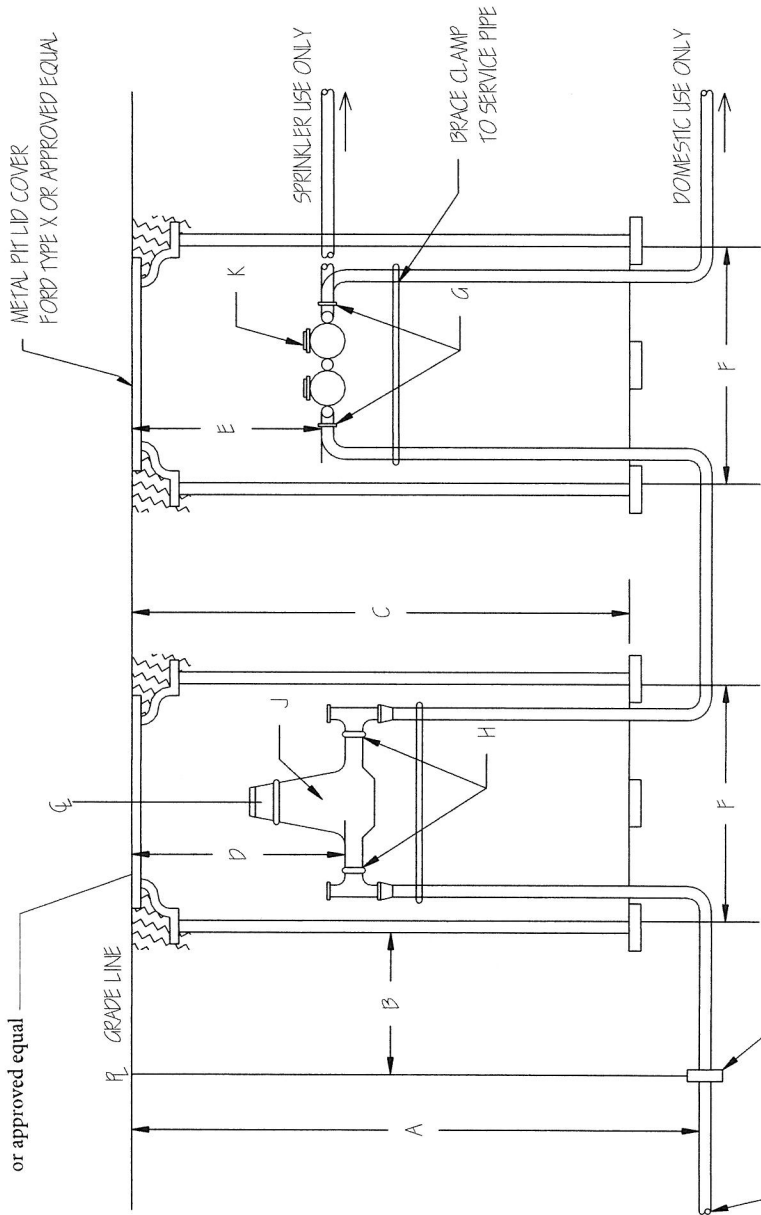
** NEW METER PIT COVER REQUIREMENT **



PLAN
NOT TO SCALE

16" (1" water service) or
21" (1-1/2" & 2" water service)
Nacor Inc. Read-Rite Polymer Lid with
1-7/8" diameter threaded through hole,
Model No. 16.0WAT0th, 21.0WAT0th,
or approved equal

** NEW METER PIT COVER REQUIREMENT **



SECTION
NOT TO SCALE

NOTES:

1. DOUBLE CHECK VALVE INSTALLATION SHALL MEET ALL NASSAU COUNTY HEALTH DEPT. AND NEW YORK STATE HEALTH DEPT. REGULATIONS.
2. DOUBLE CHECK VALVE MUST NOT BE SUBJECT TO FLOODING AND FREEZING.
3. PIPING TO BE UNBRANCHED AND UNOBSTRUCTED FROM THE MAIN TO D.C.V. DEVICE EXCEPT FOR METER.
4. DEVICE MUST BE TESTED AT LEAST ANNUALLY BY A N.Y.S.H.D. CERTIFIED TESTER.
5. PROPOSED DEVICE MADE BY: FEBCO, MODEL #850 SIZE 1" OR APPROVED EQUAL.
6. LOCATING THE PITS ON THE CUSTOMER PROPERTY IS THE RESPONSIBILITY OF THE INSTALLER.
7. MOISTURE OR RAIN SENSOR MUST BE INSTALLED DOWNSTREAM FROM PITS ON SPRINKLER SYSTEMS.
8. PROPOSED WATER SERVICE MUST BE SLEEVED IN PVC CONDUIT WHEN RUNNING UNDER ANY PERMANENT STRUCTURE (I.E. DRIVEWAY, CONCRETE PORCH, PATIO, ETC.)
9. PRESSURE VACUUM BREAKERS ARE NOT PERMITTED IN LIEU OF BACKFLOW DEVICES.

10. Existing curb box cannot be removed or location distributed before new service is installed.

- A 48"
- B 24" MINIMUM
- C 42"
- D 18"
- E 16"
- F 20" FOR 3/4" & 1" INSTALLATION
- F 36" FOR 1 1/2" & 2" INSTALLATIONS
- G ANGLE OR BALL VALVES REQUIRED (2)
- H ANGLE VALVES REQUIRED (2)
- J METER
- K D.C.V. ASSEMBLY

METER DIMENSIONS	
METER SIZE	METER LENGTH (FLANGE TO FLANGE)
1"	10 3/4"
1 1/2"	13"
2"	17"

WATER AUTHORITY OF GREAT NECK NORTH

METER AND DOUBLE CHECK VALVE PIT INSTALLATION DETAIL

THIS DRAWING MUST BE GIVEN TO YOUR PLUMBER OR SPRINKLER COMPANY TO FOLLOW. NO EXCEPTIONS WILL BE ALLOWED.

\\nyp_150.jpg

REV. 9/17/08B

VI. RULES AND REGULATIONS FOR THE CONSERVATION OF WATER:

1. DEFINITIONS

- a. "Automatic Irrigation System" - An Irrigation System with any type of device which automatically turns the system on and/or off.
- b. "District" - Water Authority of Great Neck North District.
- c. "Irrigation System" - tube, pipe, or hose, or any combination thereof, and all accessory valves, sprinklers and other devices, if any, which are used to transport and release water for the purpose of irrigation, except for the watering of tennis courts.
- d. "Person" - any individual, firm, partnership, association, corporation or other organization of any kind, including municipal districts, corporations and public authorities.
- e. "Sensor" - a rain or soil moisture sensor capable of interrupting the operation of an Irrigation System when watering is not required by virtue of rain or soil moisture, as determined by the sensor in accordance with the following suggested criteria:
 - i. The rain sensor shall be of a type capable of detecting a minimum of one-eighth inch of rainfall and automatically interrupting and preventing the Irrigation System from operating. It shall further be capable of allowing the rainfall to evaporate and when sufficient evaporation has occurred, to automatically reset and allow continuation of normal irrigation in accordance with the programmed schedule. The sensor shall be set to interrupt and prevent the Irrigation System from operating at a measure of rainfall no greater than 1/4 inches.
 - ii. The moisture sensor shall be of a type capable of detecting the moisture content of the soil in which it is used and automatically interrupting and preventing the Irrigation System from operating when the moisture content of the soil reaches a present level.
- f. "Water" - any water obtained from either (i) the Authority, or (ii) an underground source within the District.

2. APPLICATION OF REGULATIONS

- a. These conservation regulations shall apply to all persons using Water in the District regardless of whether or not such person using Water shall have a contract in its own name for Water service from the Authority.
- b. In any prosecution of any violation of these conservation regulations it shall be an affirmative defense that the alleged violation did not involve the use of Water obtained from either (1) the Authority, or (ii) an underground source within the District.

3. LIMITATION OF IRRIGATION SYSTEMS

- a. No Irrigation System shall be used on or between 10:00 a.m. and 4:00 p.m.
- b. In no event shall any Irrigation System be used on more than three days in any one calendar week.
- c. No Irrigation System shall be used prior to April 15 or after November 1 of any year.
- d. Automatic Irrigation by The Day of The Week

No Automatic Irrigation System shall be used on any day except the days indicated below, depending upon the number address of the premises where the Automatic Irrigation System is located:

- i. Premises with odd number addresses are permitted to irrigate only on Monday, Wednesday and Friday.
 - ii. Premises with even number addresses are permitted to irrigate only on Sunday, Tuesday and Thursday.
 - iii. Premises with no number or multiple number addresses including odd and even numbers (for example: 1,2,3, & 4 Smith St.) are permitted to irrigate only on Sunday, Tuesday and Thursday.
- e. The owner or tenant of any premises where a Permanent Underground Lawn Sprinkler System which on April 15, 1996, was equipped with a Time Clock which could not be set to automatically irrigate by the Day of the Week system may apply for an exemption from The Day of the Week system for so long as said Time Clock continues to be used, and may, instead, water on an Odd/Even Day of The Month System as set forth herein.
- i. Odd/Even Day of the Month System.
 - (a) No Automatic Irrigation System shall be used on any day except the days indicated below, depending upon the number of the premises where the irrigation system is located:
 - (1) Premises with odd number addresses are permitted to irrigate only on odd calendar days.
 - (2) Premises with even number addresses are permitted to irrigate only on even calendar days.
 - (3) Premises with no number or multiple number addresses including odd and even numbers (for example 1,2,3, & 4 Smith St.) are permitted to irrigate only on even calendar days.

- (b) Notwithstanding the foregoing, in no event shall any Irrigation System be used more than three days in any one calendar week.
- ii. Any owner or tenant of any premises who seeks to apply for an exemption from The Day Of The Week system shall be exempted on the following conditions:
 - (a) Such owner or tenant shall file a signed written application, certifying the following:
 - (1) The address of the premises.
 - (2) The manufacturer, model or other specific identification of the Time Clock, to the extent known.
 - (3) Permission for a representative of the Authority to confirm that the Time Clock cannot be set to automatically irrigate by The Day of The Week system.
 - (b) Such exemption shall continue for two years or until the Time Clock is removed or replaced, and may be renewed for so long as such Time Clock continues to be used at those premises. However, when said Time Clock is removed or replaced, it shall be replaced with a Time Clock which can be set to automatically irrigate by the Day of The Week system. The removal or replacement of the Time Clock, by or on behalf of the owner or tenant shall automatically void any waiver previously issued by the Authority and said owner or tenant shall immediately notify the Authority and the local municipality (village or town) within which the premises are located of the removal or replacement of the time Clock. "Removal", as used herein, shall not include the temporary removal for repair.
- iii. Upon receipt of said exemption, a copy of the exemption received from the Authority shall be filed by the owner or tenant with the local municipality (village or town) within which the premises are located.

4. SENSORS REQUIRED

- a. As of April 15, 1994, no person shall use an Automatic Irrigation System unless such Irrigation System is controlled by a properly working Sensor.
- b. In the event that the Authority has reasonable cause to believe that an Automatic Irrigation System is not controlled by a properly working Sensor, notice by registered or certified mail, return receipt requested, and regular mail, shall be given to the owner and/or tenant of the premises, where such Automatic Irrigation System is located, or to the person under whose name the account for such water is listed with the Authority requiring that the owner, tenant, and/or person under whose name the account is listed, submit a certification, in a form supplied by the Authority, that the Automatic Irrigation System on the premises is controlled by a properly working Sensor. The failure

of such owner, tenant, and/or person under whose name the account is listed, to submit the required certification within fifteen days of the mailing of said notice shall be a violation of these conservation regulations. A false statement in such certification shall be punishable as provided in the Penal Law for a false statement made under oath.

5. PENALTIES

- a. It shall be unlawful for any person that owns, leases, or uses any premises in the District to allow, tolerate or permit any violation of these conservation regulations on such premises.
- b. Any person that violates any provision of the conservation regulations shall be punishable by a fine not to exceed fifty dollars or thirty (30) days in jail or both. Each violation of each provision of these conservation regulations shall be deemed a separate offense and each such offense subject to a maximum fine of fifty dollars or thirty (30) days in jail or both. Each day that a violation of the same provisions of these conservation regulations continues shall be deemed a separate offense and each such offense subject to a maximum fine of fifty dollars or thirty (30) days in jail or both.

6. PERSISTENT VIOLATORS: REVISED MAY 2019; EFFECTIVE JULY 1, 2019

Any person who the Superintendent finds to have violated the provision of these conservation regulations with regard to such person's use of a fixed, in place, Irrigation System, on three separate days within any eighteen month period, by resolution of the Board of Directors of the Authority:

- a. may be required, at such person's sole cost and expense, to install a separate Water line and water meter for such system; and/or
- b. have the water service to their irrigation system discontinued for a period not to exceed thirty days.



WATER AUTHORITY OF GREAT NECK NORTH

50 WATERMILL LANE GREAT NECK, NEW YORK 11021-4235
OFFICE Tel: (516) 487-7973 Fax: (516) 487-5048
24 HOUR EMERGENCY Tel: (516) 482-0210
www.waterauthorityofgreatnecknorth.com

COST ESTIMATE FOR 1" DOMESTIC SERVICE AND 1" IRRIGATION SERVICE

ADDRESS: _____ **DATE:** _____

	<u>ESTIMATED</u>	<u>ACTUAL</u>	<u>DIFFERENCE</u>
	<u>COSTS</u>	<u>COSTS</u>	
PATCH DOMESTIC PER OPENING	\$ 2,500.00	\$ _____	\$ _____
MATERIAL	\$ 500.00	\$ _____	\$ _____
LABOR	\$ 1,028.00	\$ _____	\$ _____
*DOMESTIC METER (1 inch)	\$ 468.00	\$ _____	\$ _____
*IRRIGATION METER (1 inch)	\$ 468.00	\$ _____	
*APPLICATION FEE/PER REVIEW	\$ 100.00	\$ _____	\$ _____
*INSPECTION FEE			
\$100 PER INSPECTION (MIN. 2)	\$ 200.00	\$ _____	\$ _____
*TEMP PAVING & DUMPING FEE			
per opening	\$ 500.00	\$ _____	\$ _____
*ENGINEERING & LEGAL	\$ 200.00	\$ _____	\$ _____
*TAPPING FEES (1"Dom/ 1" Spk)	\$ 800.00	\$ _____	\$ _____
*VEHICLE & TOOL EXPENSES	\$ 800.00	\$ _____	\$ _____
IRRIGATION INSTALLATION	\$ 500.00	\$ _____	\$ _____
O & C 10% OF ESTIMATE	\$ 807.00	\$ _____	\$ _____
FINAL PIT INSPECTION DEPOSIT (REFUNDABLE AFTER FINAL PIT INSPECTION)	\$ 1,500.00	\$ _____	\$ _____
TOTAL ESTIMATED COST	\$ 10,371.00	\$ _____	\$ _____

PLAN SUBMITTAL: SIGNATURE: _____ DATE: _____

RECONCILIATION: SIGNATURE: _____ DATE: _____